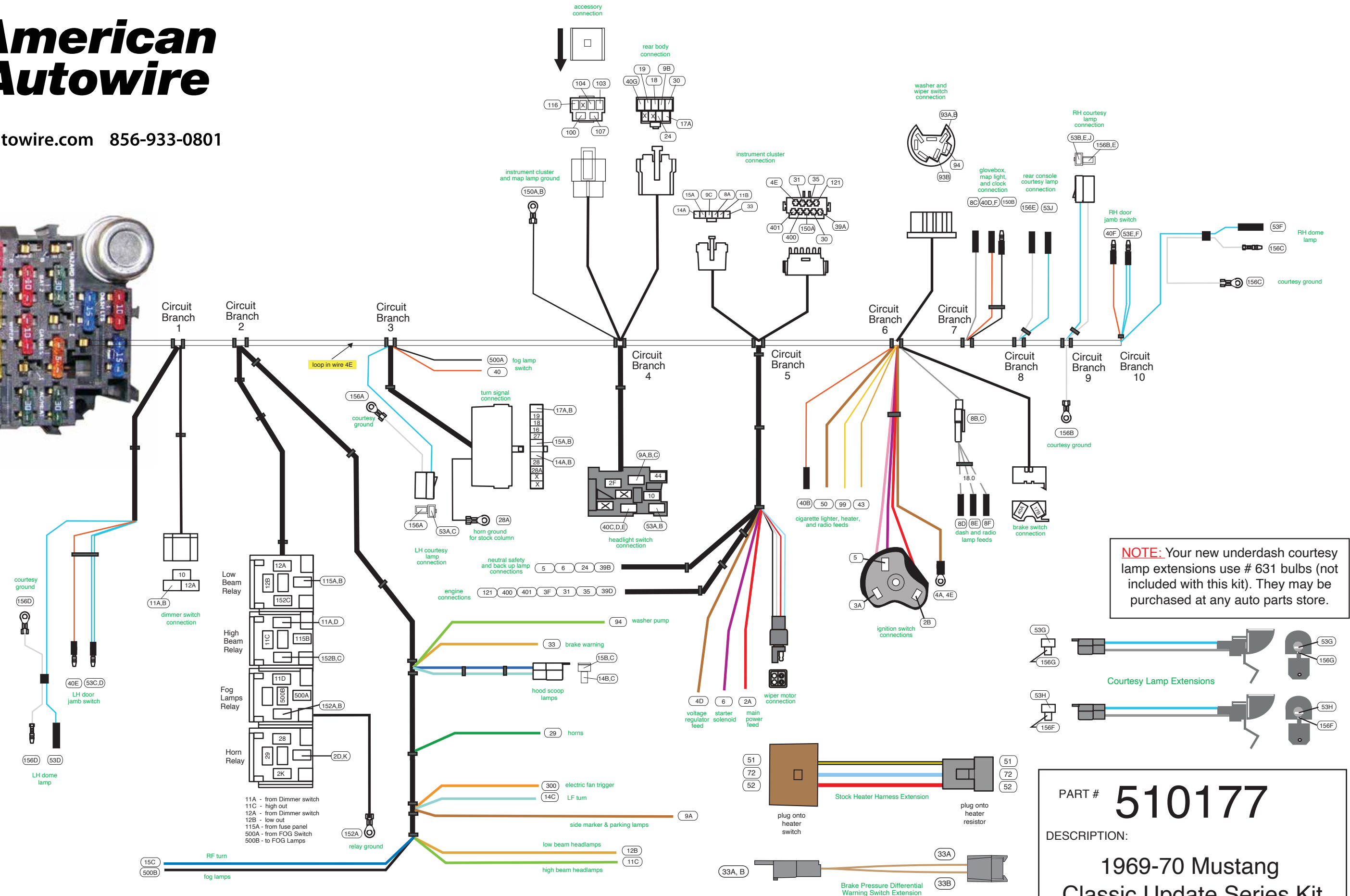
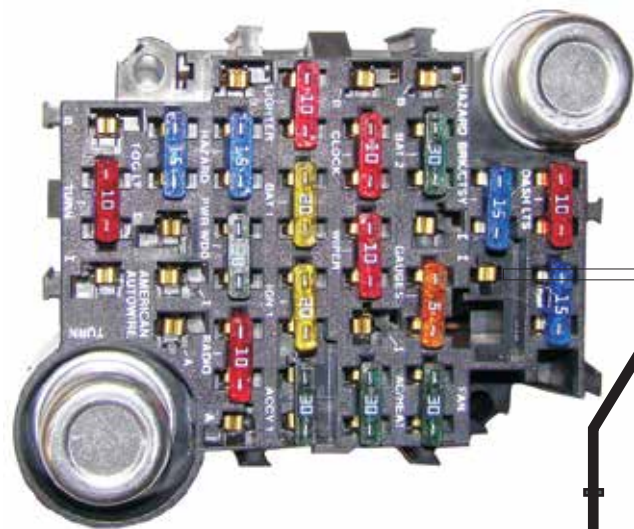


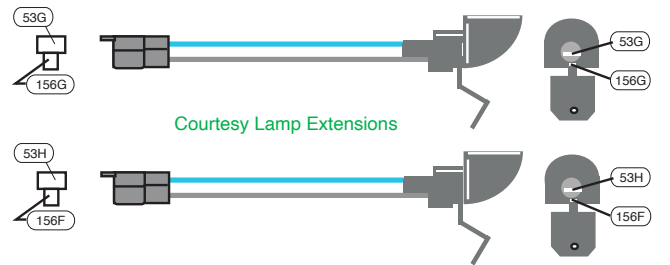


# American Autowire

www.americanautowire.com 856-933-0801



**NOTE:** Your new underdash courtesy lamp extensions use # 631 bulbs (not included with this kit). They may be purchased at any auto parts store.



PART # **510177**

DESCRIPTION:  
**1969-70 Mustang Classic Update Series Kit**

92969421 Rev 13 AB 5/3/2024

## Main Fuse Panel Installation Instructions

The Main Fuse Panel harness is designed to be mounted under the dash to the left of the original fusebox / bulkhead pass thru hole in the firewall. Below, you will find a picture showing the fusebox mounted in an actual car. Once mounted in the firewall, the harness will route exactly as the original did. The technical narrative representations of the main dash harness on the following pages show each circuit branch and identifies each connection by its color, circuit number, and function. Follow these as well as the detailed drawing on pages 7 and 8 for the individual circuit connections to complete your installation.

### Circuit Branch 1- Under Dash connections

Wire	Wire color	Printing	Procedure
------	------------	----------	-----------

Dimmer Switch connector.

10	Yellow	Dimmer Switch Feed	Connect to Dimmer Switch.
11A,B	Light Green	Headlight Hi Beam	Connect to Dimmer Switch.
12A	Tan	Headlight Low Beam	Connect to Dimmer Switch.

Left Hand Dome Lamp Feed Wires.

53C,D	Light Blue	12V Ctsy Sw	Connect to Left Hand door jamb switch provided in the 510181 parts kit.
40E	Orange	12V Battery Fused	Connect to Left Hand door jamb switch provided in the 510181 parts kit.
53D	Light Blue	12V Ctsy Sw	Connect to Left rear dome lamp.
156D	White	Ctsy Ground	Connect the bullet terminal end to the left rear dome lamp. The ring terminal end must be connected to a good chassis ground.

### Circuit Branch 2- Front Lighting connections

See page 7, "Figure A" for typical connections. Loose piece terminals and connectors are located in kit 510181.

Wire #	Wire color	Printing	Procedure
--------	------------	----------	-----------

Relay Pack

The 4 gang relay panel is directly wired and requires no internal wiring. The only connection required is to attach the relay ground wire (152A) to a good chassis ground. Two relays control the headlight low beam and high beam circuits allowing for the use of high powered halogen lamps without creating an extra load on the factory headlamp and dimmer switches. A third relay controls the fog or driving lamp circuit and automatically shuts the fog or driving lamps off whenever the high beam lamps are applied in accordance with 50 state Federal law. The last relay is for the horn circuit.

152A	Black	Ground	Connect to a good chassis ground.
94	Light Green	Washer Pump Feed	Route this wire to your washer pump. This is the switched 12 volt feed to operate the pump. You will need to use your original ground wire assembly from your pump.

Brake Pressure Differential Switch

**(NOTE:)** We have provided you with the connection to the original Ford brake warning switch in the form of a wire extension assembly (wires 33A, B on page 1 of this instruction sheet). You will plug this extension onto wire 33, below.

33	Tan	Brake Switch	Route this wire to the brake warning switch area near the master cylinder, cut to length, install terminal B, plug into connector E as shown on page 7, figure A, then plug this wire into wire extension assembly 33A, B (from page 1 of this instruction sheet) to complete your brake warning circuit.
----	-----	--------------	-----------------------------------------------------------------------------------------------------------------------------------------------------------------------------------------------------------------------------------------------------------------------------------------------------------

14B,C	Light Blue	Left Front Turn	This is the connection for the hood scoop mounted directional lights. Mating connector and terminals "B and F" to complete this branch can be found in the 510179 loose piece dash kit if you are using a stock hood with these lamps. Connect to the horn power terminal. NOTE: If your horn has a separate ground terminal, you must supply the wire or that ground terminal as it is not included in the kit. A stock horn is self grounding through it's case and bracket. Connect to the left front directional lamp socket. If you are using a single front directional light with an 1157 or dual filament bulb, this wire would be connected to the high intensity filament of the LH front running light.
15B,C	Dark Blue	Right Front Turn	
29	Dark Green	Horn	

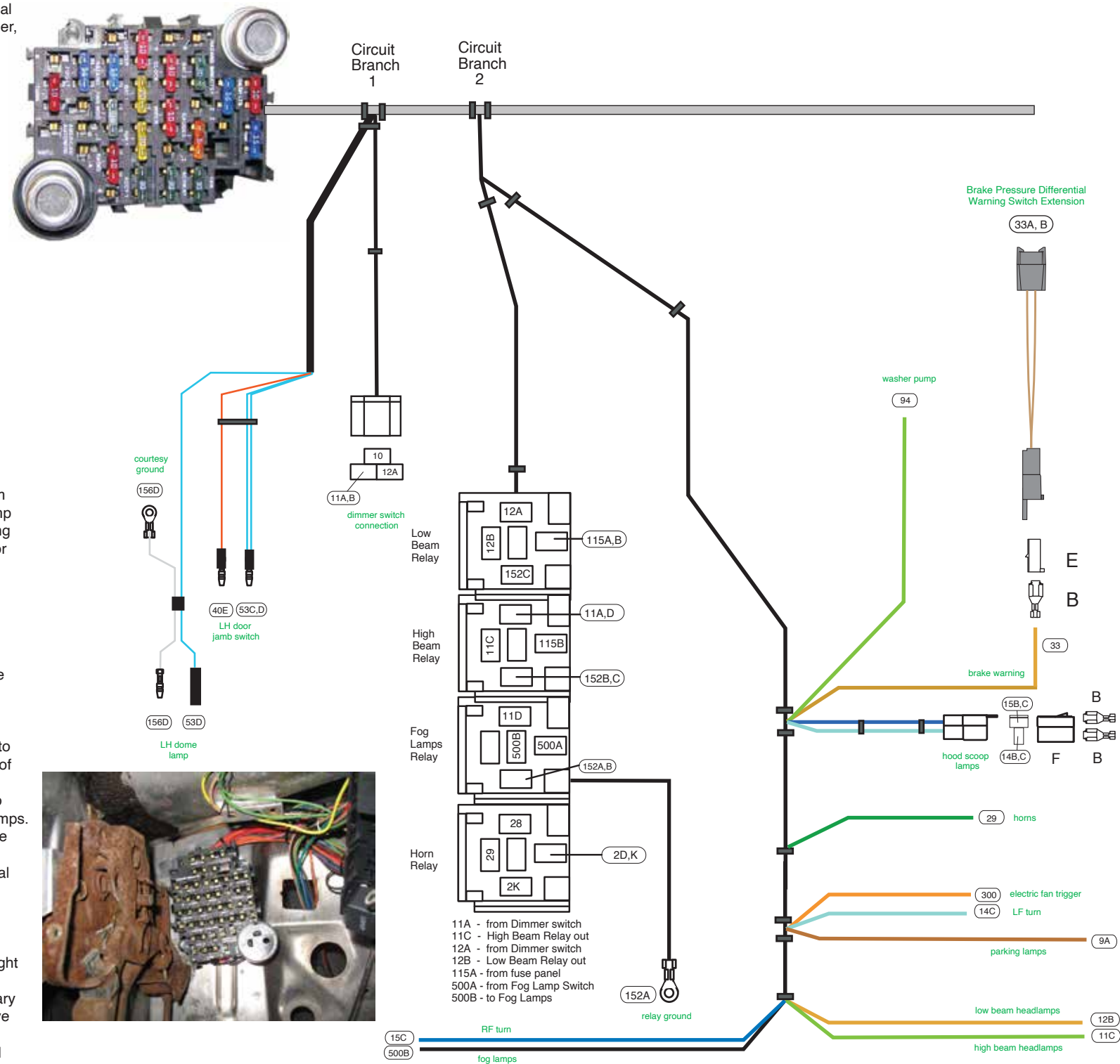
14C	Light Blue	Left Front Turn	Connect to the right front directional lamp socket. If you are using a single front directional light with an 1157 or dual filament bulb, this wire would be connected to the high intensity filament of the RH front running light.
15C	Dark Blue	Right Front Turn	

300	Orange	Electric Fan	This is the 12 volt ignition feed to be connected to the trigger wire on your electric fan relay. Connect to both the front park / running and side marker light sockets. If you are using a single front directional light with an 1157 or dual filament bulb, this wire would be connected to the low intensity filament of each of the front running lights. An in-line splice of this wire or a double up of this wire at the left front parking lamp will be necessary to accommodate the wiring of both of the front park / running lights. Connectors, terminals, and lamp sockets have been provided to make the necessary connections and can be found in the 510181 parts kit.
9A	Brown	Park Lights	

11C	Light Green	Headlight-Hi Beam	Using the terminals and connectors supplied in bag 510181, connect these wires along with the headlight ground wires to the headlight connectors according to the orientation in the diagram on page 7. Figure A. Select the light green Headlight Hi Beam wire (11C), route to the LH outer headlamp, cut to length, double with the cut off portion using terminal W, and plug into connector A as shown on sheet 7. Select the remaining light green wire, route to the LH inner headlamp, cut to length, double with the cut off portion using terminal W, and plug into connector T as shown on sheet 7. Select the remaining light green wire, route to the RH inner headlamp, cut to length, double with the cut off portion using terminal W, and plug into connector T as shown on sheet 7. Select the remaining portion of the light green wire, route to the RH outer headlamp, cut to length, install terminal C, and plug into connector A as shown on sheet 7.
-----	-------------	-------------------	------------------------------------------------------------------------------------------------------------------------------------------------------------------------------------------------------------------------------------------------------------------------------------------------------------------------------------------------------------------------------------------------------------------------------------------------------------------------------------------------------------------------------------------------------------------------------------------------------------------------------------------------------------------------------------------------------------------------------------------------------------------------------------------------------------------------------------------------------------------------------------------------------------------------------------------------------------------------------

12B	Tan	Headlight-Low Beam	Select the tan Headlight Low Beam wire (12B), route to the LH outer headlamp, cut to length, double with the cut off portion using terminal W, and plug into connector A as shown on sheet 7. Select the remaining tan wire, route to the RH outer headlamp, cut to length, install terminal C, and plug into connector A as shown on sheet 7.
-----	-----	--------------------	------------------------------------------------------------------------------------------------------------------------------------------------------------------------------------------------------------------------------------------------------------------------------------------------------------------------------------------------

500B	Black	Fog Lamps	Connect this wire to your fog lamp power lead wires. An in-line splice or double up of the wire at the left fog lamp before routing to the right fog lamp will be necessary. If the fog lamps have a separate ground wire, you must supply those wires as they are not included in the kit.
------	-------	-----------	---------------------------------------------------------------------------------------------------------------------------------------------------------------------------------------------------------------------------------------------------------------------------------------------



# American Autowire

www.americanautowire.com 856-933-0801

# 510177

## 1969-70 Mustang Classic Update Series Kit

92969421 Rev 13.0 AB 5/3/2024

Installation instructions (cont'd)

Circuit Branch 3 - Under Dash connections

Wire #	Wire color	Printing	Procedure
Fog or driving lamp switch connection wires			
40	Orange	12V Battery Fused	Connect to "Feed In" on your fog lamp switch (if so equipped).
500A	Black	Fog Lamps	Connect to "Feed out" on your fog lamp switch (if so equipped).

LH Courtesy lamp connection  
Plug in your Left Hand under dash courtesy lamp assembly here. The function of each wire is as follows:

53A,C	Lt Blue	12V Ctsy Sw	Courtesy Light power.
156A	White	Crtsy ground	Courtesy Light ground. Attach ring terminal to a good chassis ground.

Turn Signal Switch connector (NOTE: for 1970 Applications only, see bag X 510243 for additional adapter.)

If you are using a stock Ford turn signal switch and steering column, refer to Diagram 'A' and "Table A" on this page, to mate the original wires in your column to the AAW Turn Signal Switch wires. This kit is designed to plug into and function with a GM style turn signal switch. Our dash harness turn signal connector mates to the GM 3 7/8" plug type that was used on most 1969-1974 GM, IDIDIT, and many other aftermarket steering columns. Starting from 1975 on up, the GM switch began using a 4 1/4 inch connector in place of the 3 7/8" one. That connector is from the same family and uses the same terminals. By using the supplied mating connector (L) and terminals (M) located in the loose piece kit bag of the dash harness (510179), it is easy to adapt any steering column to the kit. The function of each of the AAW wires within the cavities are as follows:

28	Black	Horn switch	Horn button ground to the horn relay trigger
28A	Black	Horn Relay Ground	Ground wire for use with stock Ford column only (not used with an aftermarket column).
14A,B	Light Blue	Left Front Turn	Feeds the left front turn lamp bulb high filament, the left hood mounted turn signal bulb, and the left turn dash indicator lamp.
15A,B	Dark Blue	Right Front Turn	Feeds the right front turn lamp bulb high filament, the right hood mounted turn signal bulb, and the right turn dash indicator lamp.
27	Brown	Turn Sw - Hazard	4 way hazard power feed wire from the Hazard flasher "L" terminal.
16	Purple	Turn Switch Feed	Turn signal power feed wire from the Turn Signal flasher "L" terminal.
18	Yellow	Left Rear Turn	Feeds the left rear turn and brake lamp bulb high filament.
19	Dark Green	Right Rear Turn	Feeds the right rear turn and brake lamp bulb high filament.
17A	Light Blue	Third Brake Light	Power feed wire from the output side of the brake switch to the third brake light connection at the rear body connector.
17B	White	Brake Sw	Power feed wire from the output side of the brake switch to the turn signal switch.

Circuit Branch 4 - Under Dash connections

Rear Body Wire connections.  
This connector plugs into the Rear Body Kit 510052. See that sub-kit for specific installation instructions and circuit functions.

Accessory Connection  
Use connector R and included terminals S for wires to be added to the in-dash accessory connector pigtail. The mating connector for these circuits will be pre-inserted into the dash pigtail, and terminals can be located in the dash loose piece kit along with the fuse panel mounting hardware.  
**NOTE:** Not all installations will require use of these connections. It was added to your kit as a convenient source for 12 volt power.

Wire #	Wire color	Fuse	Rating	Printing	Description
100	Tan	ACCY 1	30 amp	No printing	Fused 12 volt ACCESSORY feed (may also be used to power another accessory circuit)
103	Tan	FUEL	15 amp	FUEL PUMP	Fused 12 volt IGNITION feed for fuel pump (may also be used to power another ignition circuit)
104	Red	BAT 1	20 amp	POWER LOCKS	Fused 12 volt BATTERY feed for power door locks (may also be used to power another battery circuit)
107	Pink	IGN 1	20 amp	No printing	Fused 12 volt IGNITION feed for any ignition circuit
116	Pink	PWR WDO 30 amp	No printing	POWER WINDOWS	Fused 12 volt IGNITION feed for power windows (may also be used to power another ignition circuit)

Instrument Cluster ground.  
150A,B Black Ground Connect to a good chassis ground.

Headlight switch connector. The function of each wire is as follows:

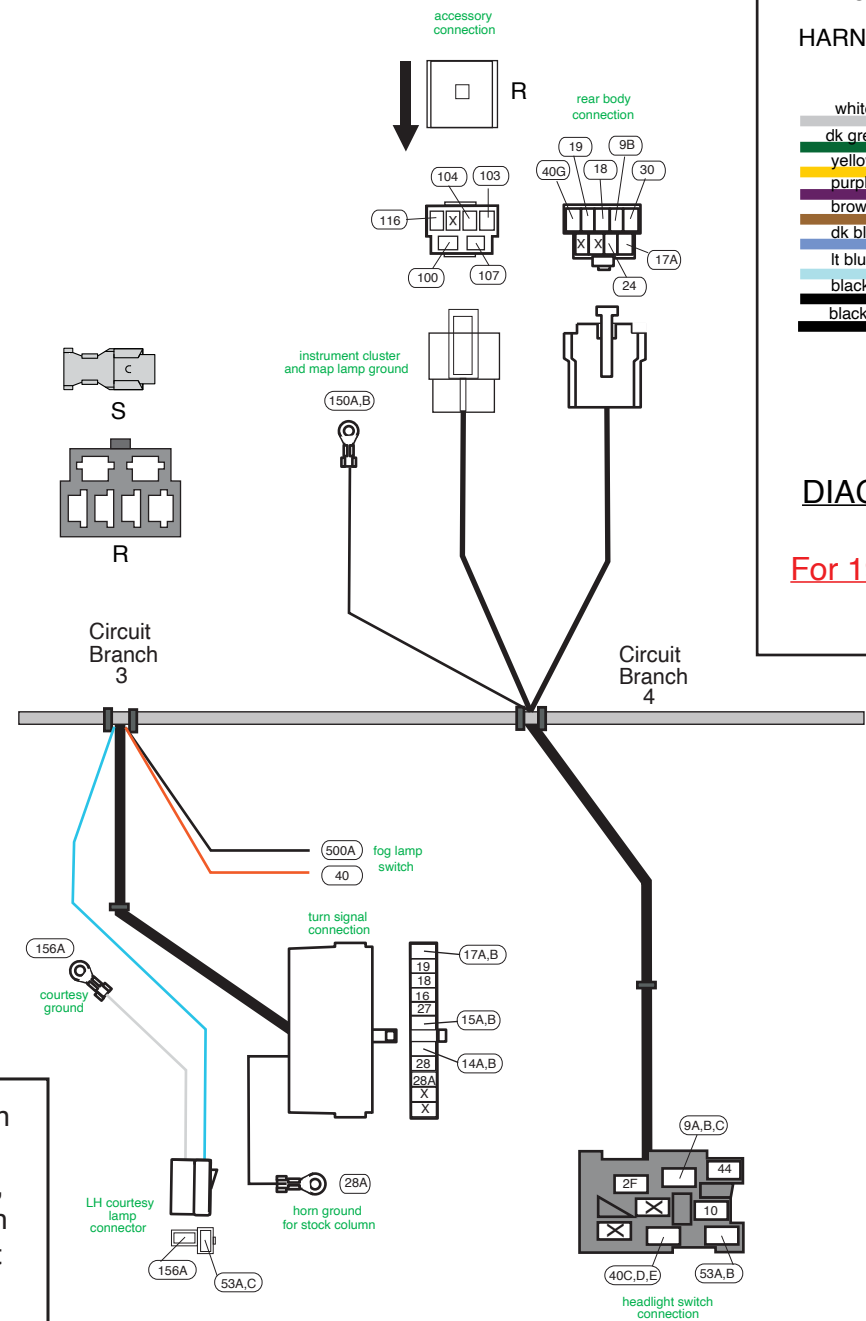
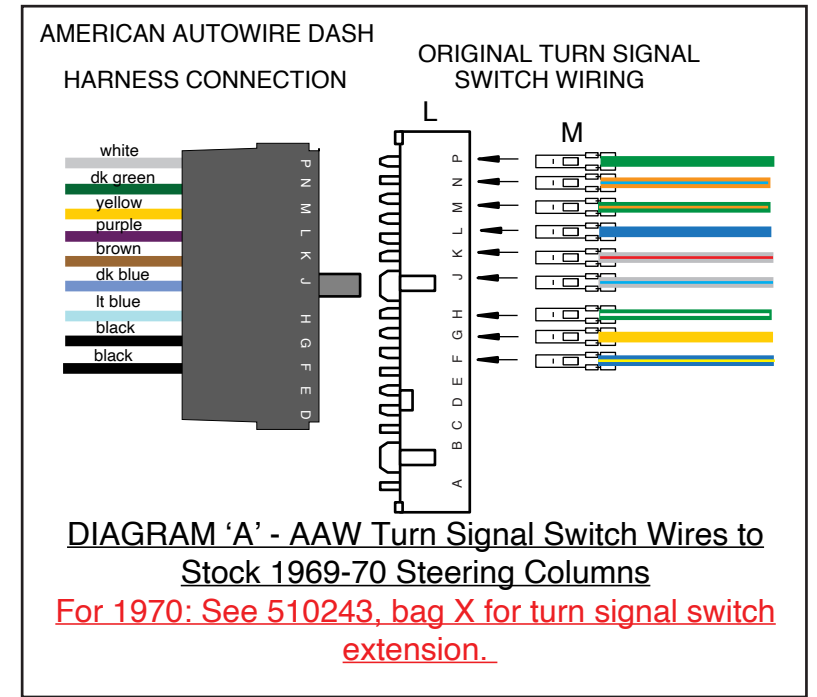
Wire #	Wire color	Printing	Procedure
2F	Red	12V Battery	12 volt battery power to the switch.
9A,B,C	Brown	Park Lights	Power lead wires to the parking and tail light circuits.
44	Dark Green	Dash Lights	Power lead wire to the dash lights .
10	Yellow	Dimmer Sw feed	Headlight power output to the Dimmer Switch.
40C,D,E	Orange	12V Battery	Fused Courtesy Light battery power feed from fusebox.
53A,B	Lt Blue	12V Ctsy Sw	Courtesy Light switched battery power.

**NOTE:** The courtesy lamp extension from page 1, that plugs onto the connector at branch 3 on this page, uses a # 631 bulb (not included with this kit). They may be purchased at any auto parts store.

Table "A"  
AAW Turn Signal Switch wires to stock 1969-70 Mustang turn signal switch.

AAW Wire #	AAW Wire color	AAW Wire Printing	Ford Wire Color
14A,B	Light Blue	Left Front Turn	Green with white stripe
15A,B	Dark Blue	Right Front Turn	White with blue stripe.
16	Purple	Turn Switch Feed	Blue
17A,B	White	Brake Switch	Green
18	Yellow	Left Rear Turn	Green with orange stripe.
19	Dark Green	Right Rear Turn	Orange with blue stripe.
27	Brown	Turn Sw - Hazard	White with red stripe.
28	Black	Horn Relay Ground	Yellow
28A	Black	Horn Relay Ground	Blue with yellow stripe.

Note: Ford originally switched power to the horns through the steering column horn button. In this kit, ground is being switched through the original steering column switch to ground a horn relay which switches power to the horns.



www.americanautowire.com 856-933-0801

510177

1969-70 Mustang Classic Update Series Kit

92969421 Rev 13.0 AB 5/3/2024

**Circuit Branch 5 - Under Dash connections**

**Instrument Cluster connections.**

These connections plug into the Instrument Cluster Kit 510186. See that sub-kit for specific installation instructions and circuit functions. NOTE: In the event that you are using an aftermarket gauge package, there are instructions and terminals to complete that task (92965220) located in the 510186 Instrument cluster kit. If you are using an electronic speedometer, connections to the transmission sending unit can be found on this page to the right in figure "A".

**Circuit Branch 5 - Engine and Alt. connections**

See page 8, "Figures B and C" for typical connections. Loose piece terminals and connectors to complete these connections are located in kit # 510181.  
**Procedure**

**Wire # Wire color Printing**

**Alternator connections**

- 2 Red 12 V Battery** Use the 6ga red wire, boot and ring terminal from the 510476 kit, route it from the alternator to the Megafuse, cut to length. Connect as shown on page 8 of this instruction set and on the 92972153 (510476) instruction set.
- 4D Brown Alternator Ign** This wire is the exciter wire for your alternator / voltage regulator. If you are using a one wire alternator, this wire will not be used and should be capped off as it is "hot" in the ignition "on" position. If you are using an alternator that requires an internal voltage regulator, this exciter wire must be connected to the "switched or 12v ignition" terminal on your alternator according to the manufacturer's specifications for the type of alternator / regulator that is being used. An inline diode or resistor may be necessary to eliminate "run on" after being switched off. (AAW recommends a GEN 3 Internally Regulated or 1 wire alternator unit)

**Starter Solenoid connections**

- 6 Purple Starter Solenoid-S** Route the end that comes out with the heavy red main power feed wire to the "S" terminal on your starter solenoid, cut to length, install sleeve R and terminal U which can be found in grommet and loose piece bag 510181. (See Figure D on page 8)

**Main Power connections**

- 2A Red 12 V Battery** Route this wire to the Megafuse, cut to length, use the ring terminal and shrink tubing from the 510476 kit. Connect as shown on page 8, Figure B.

**Neutral safety switch (NSS) and back-up connections.**

Route these wires to the NSS/backup switch on the transmission. If using a factory **MANUAL TRANSMISSION**, connect the PURPLE #5 & #6 wires together. Some aftermarket transmissions will have their own NSS built into the transmission. Please refer to their instruction documents for making these connections.

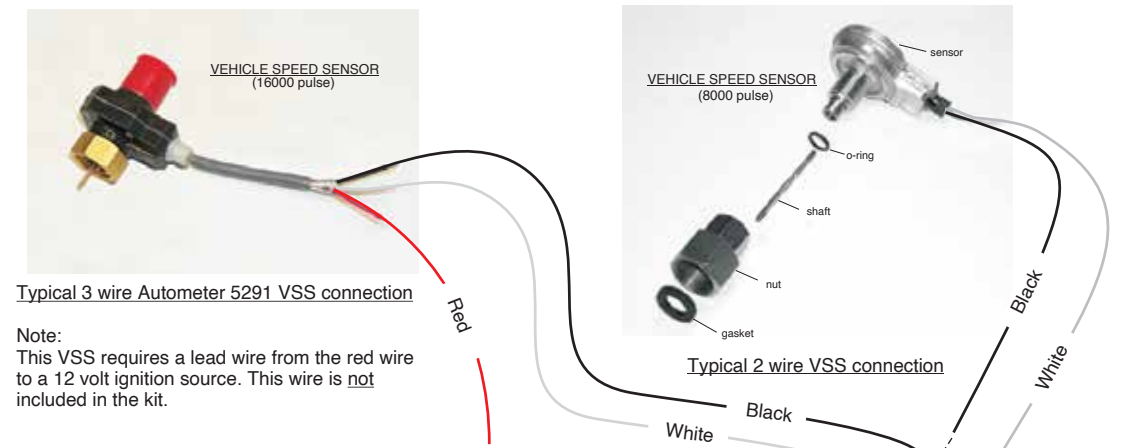
- 5 Purple Neutral Safety Switch** Connect to a NSS terminal on the neutral safety switch. (See figure C, page 8)
- 6 Purple Starter Solenoid-S** Connect to the opposite NSS terminal on the neutral safety switch as the 5 wire above. (See figure C, page 8)
- 24 Lt. Green Backup Lt Sw-Lights** Connect to the backup light terminal on the neutral safety / back up switch. (See figure C, page 8)
- 39B Pink 12 V Ignition** Connect to the backup light power terminal on the neutral safety / back up switch. (See figure C, page 8)

**Engine connections**

- 3F Pink Ignition Feed - coil** This is your 12 volt switched power source for the distributor. This can be connected directly to the "bat" terminal on a typical HEI distributor, to a ballast resistor as in a points type distributor, or be used as the ignition power source for an aftermarket ignition module such as an MSD or "Duraspark" module. We recommend consulting your ignition system manufacturer's installation instructions for specific connection requirements (See page 8, figure D for some examples).
- 31 Dark Blue Oil Pressure Sender** Connect to the oil pressure sender.
- 35 Dark Green Water Temp Sender** Connect to the temperature sender.
- 39D Tan Electric Choke** On carbureted cars, connect to the electric choke terminal.
- 121 White Coil - Tach** This can be connected directly to the tach terminal on a typical HEI distributor, to the negative side of the coil, or a tach connection in an aftermarket ignition module such as an MSD module. See the installation instructions for the type of ignition system you are using for specific connection requirements.
- 400 Yellow VSS Ground** Connect to the Vehicle Speed Sensor ground lead (used only with an aftermarket electronic speedometer).
- 401 Purple VSS Signal** Connect to the Vehicle Speed Sensor signal lead (used only with an aftermarket electronic speedometer).

**Wiper motor connection**

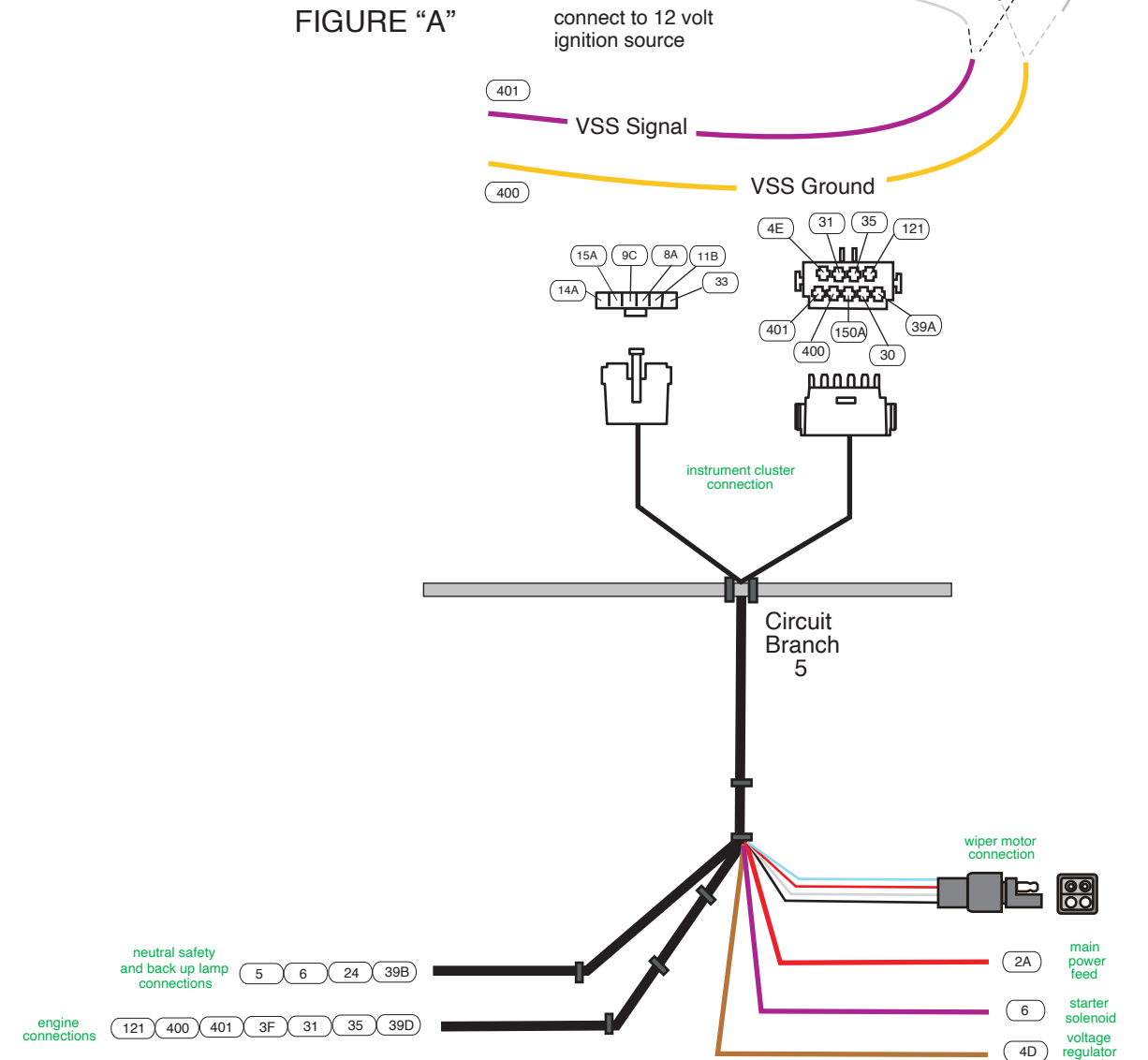
Route the molded 4 position connector containing the blue, black, red, and white wires back in thru your cowl area as original, and plug the molded connector into your wiper motor molded lead. It is a factory indexed connection and will only install 1 way. No other connections are necessary to complete this task.



Typical 3 wire Autometer 5291 VSS connection

Note: This VSS requires a lead wire from the red wire to a 12 volt ignition source. This wire is not included in the kit.

FIGURE "A"



www.americanautowire.com 856-933-0801

**510177**  
1969-70 Mustang  
Classic Update Series Kit

92969421 Rev 13.0 AB 5/3/2024

Installation instructions (cont'd)

**Circuit Branch 6 - Under Dash connections**

Wire #	Wire color	Printing	Procedure
<b>Wiper Switch connections</b> Plug the 8 position washer and wiper switch connector directly onto your stock wiper switch. No other connection is necessary.			
<b>Radio connections</b>			
43	Tan	Radio	Ignition power lead to radio for "off" and "on" functions.
99	Yellow	Radio Bat	Battery power lead to radio for memory.
<b>Cigarette lighter connection</b>			
40B	Orange	12V battery	Fused connection to cigarette lighter.
<b>Heater A/C power feed connection</b>			
50	Brown	Heater/AC feed	This is the fused power lead for the heater or AC control panel. Connect according to the instructions supplied with your aftermarket heater / AC unit. This can also be used as the 12 volt keyed feed wire to the stock heater or A/C system in your 1969 or 1970 Mustang.
<b>Stock heater extension harness</b>			
51	Black/Yellow		This is the stock heater switch to resistor extension harness if you are using a factory stock heater in your car. Plug the brown 50 heater A/C feed wire into the brown connector on this extension harness as shown at the right, then plug the assembly onto your stock heater switch and resistor to complete the heater system on your 1969 or 1970 Mustang.
52	Red		
72	Lt. Blue		
<b>Dash illumination lamps connection</b>			
8B thru F	Gray	Dash Lights	Spare dash lamp feeds for any accessory dash lamps needed including the radio lamp, ashtray lamp, etc.
<b>Brake Switch connector</b>			
40A	Orange	Brake Switch 12V feed	Connect to Brake Switch. This is the 12 volt fused battery feed to the brake lamp switch.
17B	White	Brake Switch	Connect to Brake Switch. This is the 12 volt output from the brake switch to the turn signal switch.
<b>Ignition Switch connector</b>			
3A	Pink	Ignition Feed	<b>For 1969:</b> Connect to the provided 1967-style ignition switch, 510053. <b>For 1970:</b> See Bag X, 510243.
5	Purple	Neutral Safety Switch	<b>For 1969:</b> Connect to the provided 1967-style ignition switch, 510053. <b>For 1970:</b> See Bag X, 510243.
2B	Red	12V Battery	<b>For 1969:</b> Connect to the provided 1967-style ignition switch, 510053. <b>For 1970:</b> See Bag X, 510243.
4A,E	Brown & Brown/White	Ignition Sw Accy	Install on the ignition switch stud after the main switch connector has been plugged in. Secure with nut provided with switch.

**Circuit Branch 7 - Under Dash connections**

Wire #	Wire color	Printing	Procedure
These connections will plug into your stock map lamp, glovebox, and clock harness:			
40D,F	Orange	12V Battery	12V battery fused power connection for the map lamp, glove box, and clock.
8C	Gray	Dash Lights	Dash lamp feed for clock
150B	Black	Ground	Ground connection for the map lamp, glove box, and clock.

**Circuit Branch 8- Under Dash connections**

Wire #	Wire color	Printing	Procedure
<b>Console rear courtesy light connection</b>			
53J	Lt Blue	12V Ctsy Sw	Courtesy Light power. Connect to your stock console courtesy lamp harness.
156E	White	Ctsy Ground	Courtesy Light ground. Connect to your stock console courtesy lamp harness.

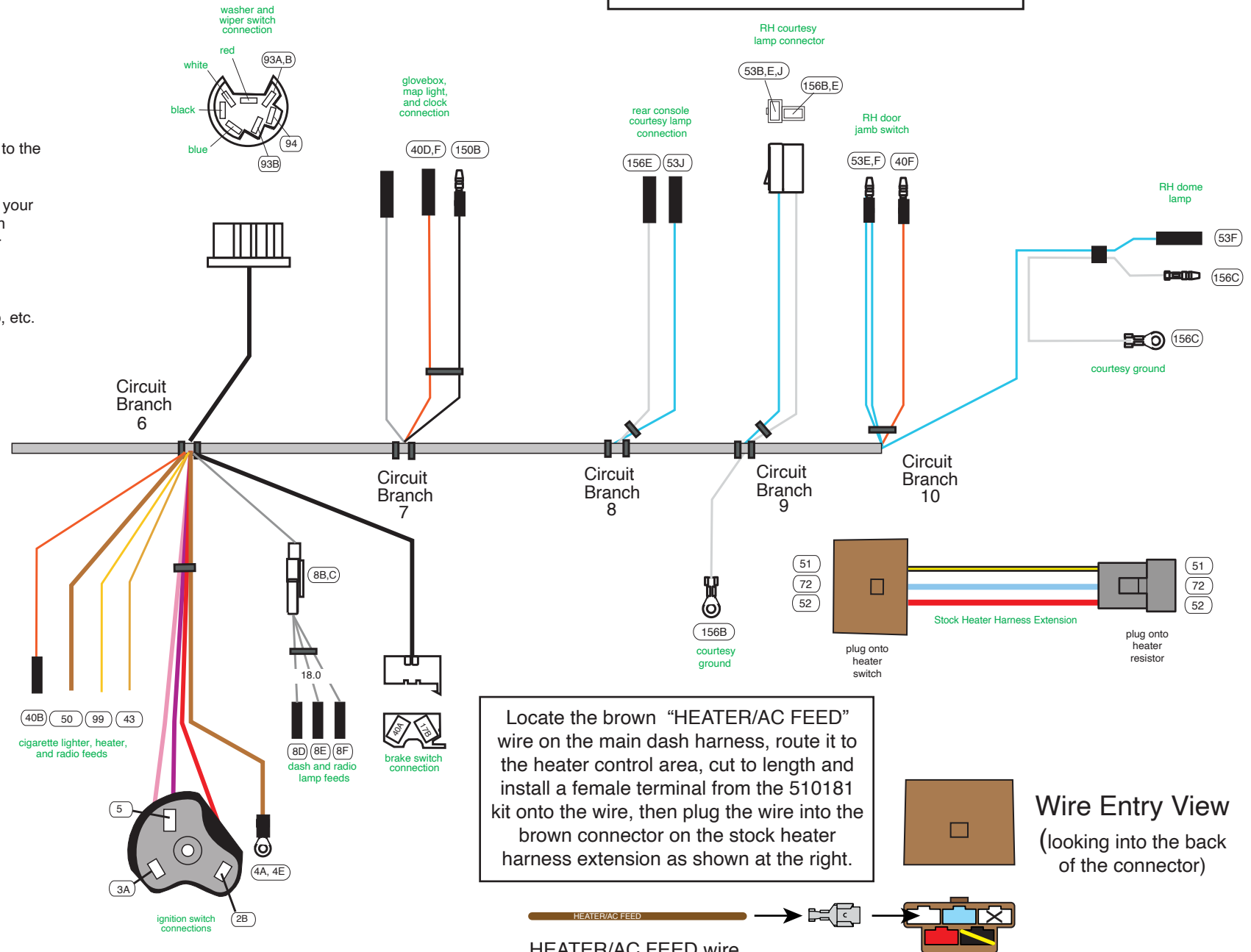
**Circuit Branch 9- Under Dash connections**

Wire #	Wire color	Printing	Procedure
<b>RH Courtesy lamp connection.</b> Plug in your Right Hand under dash courtesy lamp assembly here. The function of each wire is as follows:			
53B,E,J	Lt Blue	12V Ctsy Sw	Courtesy Light power provided in the 510181 parts kit.
156B,E	White	Crtsy ground	Courtesy Light ground provided in the 510181 parts kit.
156B	White	Crtsy ground	Attach ring terminal to a good chassis ground.

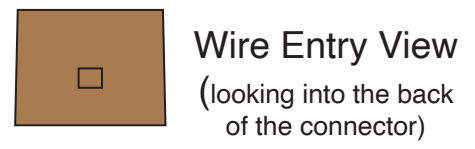
**Circuit Branch 10- Under Dash connections**

Wire #	Wire color	Printing	Procedure
<b>Right Hand Dome Lamp Feed Wires</b>			
53E,F	Light Blue	12V Ctsy Sw	Connect to the Right Hand door jamb switch.
40F	Orange	12V Battery Fused	Connect to the Right Hand door jamb switch.
53F	Light Blue	12V Ctsy Sw	Connect to the Right rear dome lamp.
156C	White Ctsy	Ground	Connect the bullet terminal end to the right rear dome lamp. The ring terminal end must be connected to a good chassis ground.

**NOTE:** The courtesy lamp extension from page 1, that plugs onto the connector at branch 9 on this page, uses a # 631 bulb (not included with this kit). They may be purchased at any auto parts store.



Locate the brown "HEATER/AC FEED" wire on the main dash harness, route it to the heater control area, cut to length and install a female terminal from the 510181 kit onto the wire, then plug the wire into the brown connector on the stock heater harness extension as shown at the right.



**510177**  
1969-70 Mustang  
Classic Update Series Kit  
92969421 Rev 13.0 AB 5/3/2024

### Fusebox Mounting Hole Template

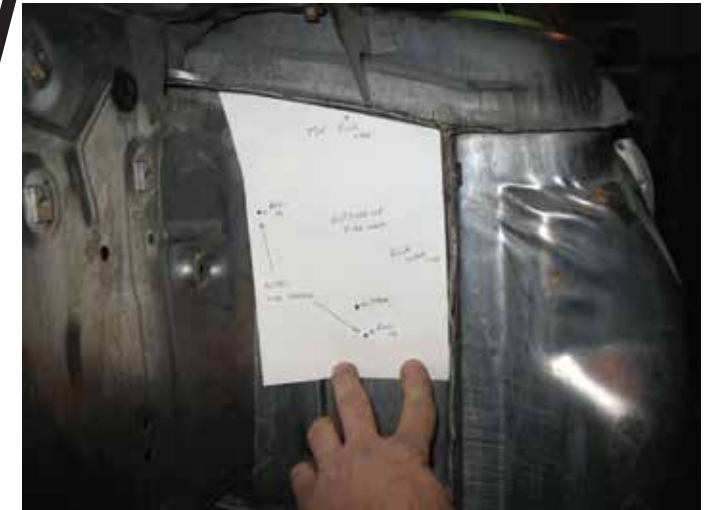
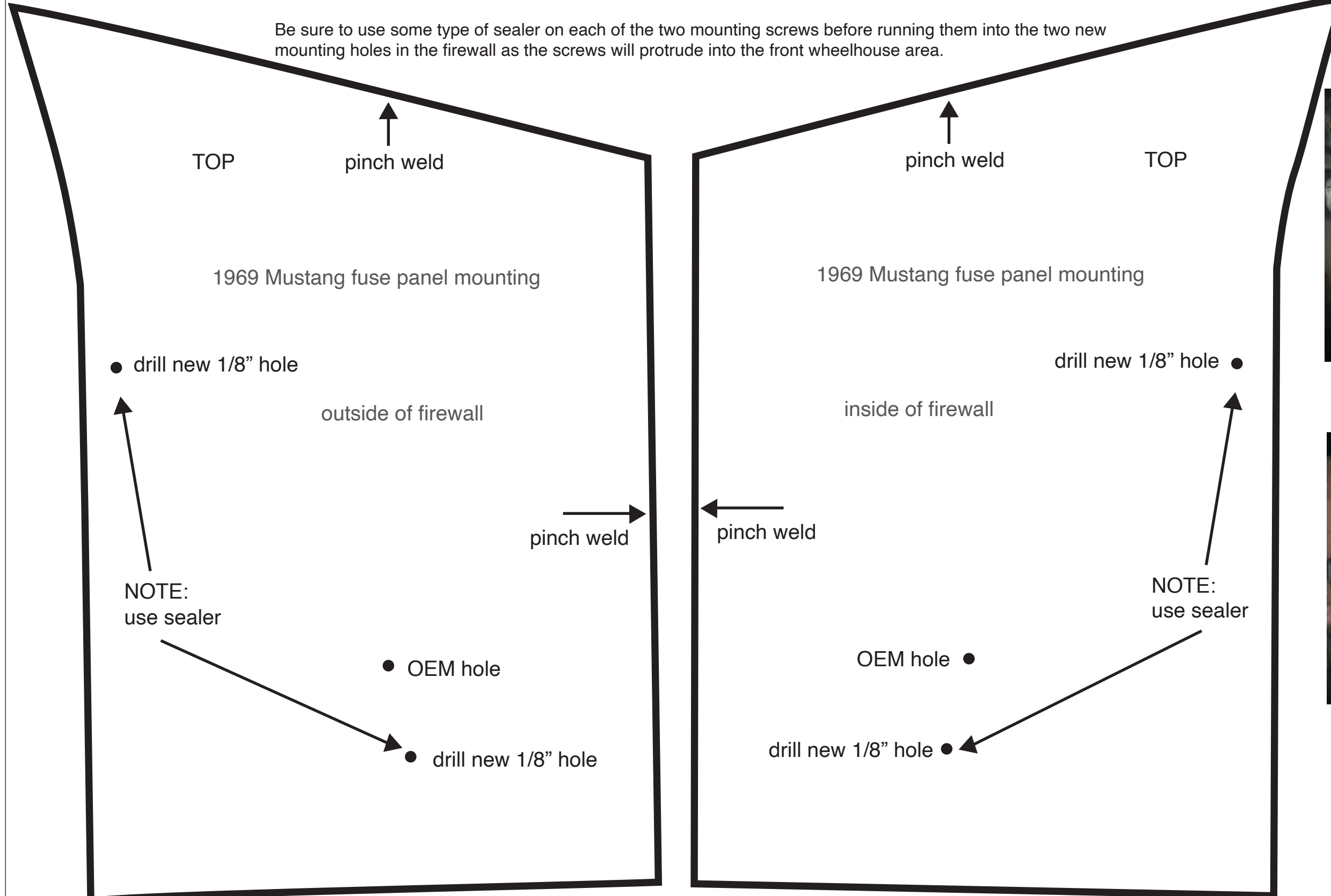
Choose to work either inside or the outside the car and align the template to the upper and outer pinch welds, and then locate the OEM hole in the firewall.

Once the template is located securely in place, use a center punch and set the two points which you will need to drill out. Using a 1/8" drill bit, carefully drill the two new fuse box mounting holes in your firewall.

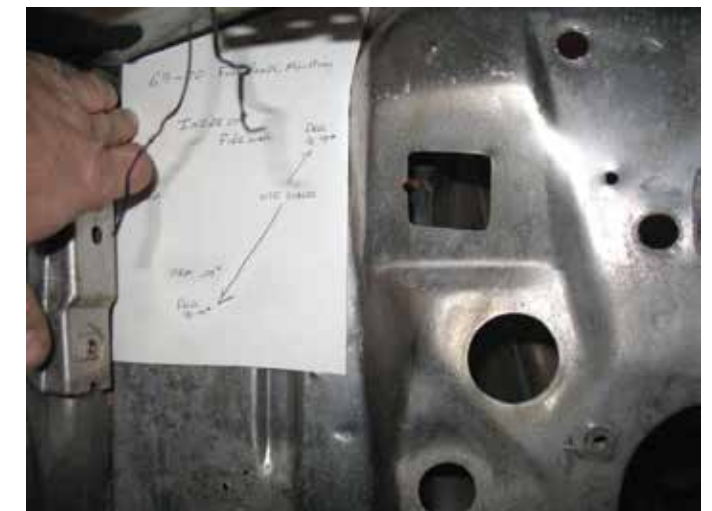
Be sure to use some type of sealer on each of the two mounting screws before running them into the two new mounting holes in the firewall as the screws will protrude into the front wheelhouse area.



www.americanautowire.com 856-933-0801



Engine Bay Side



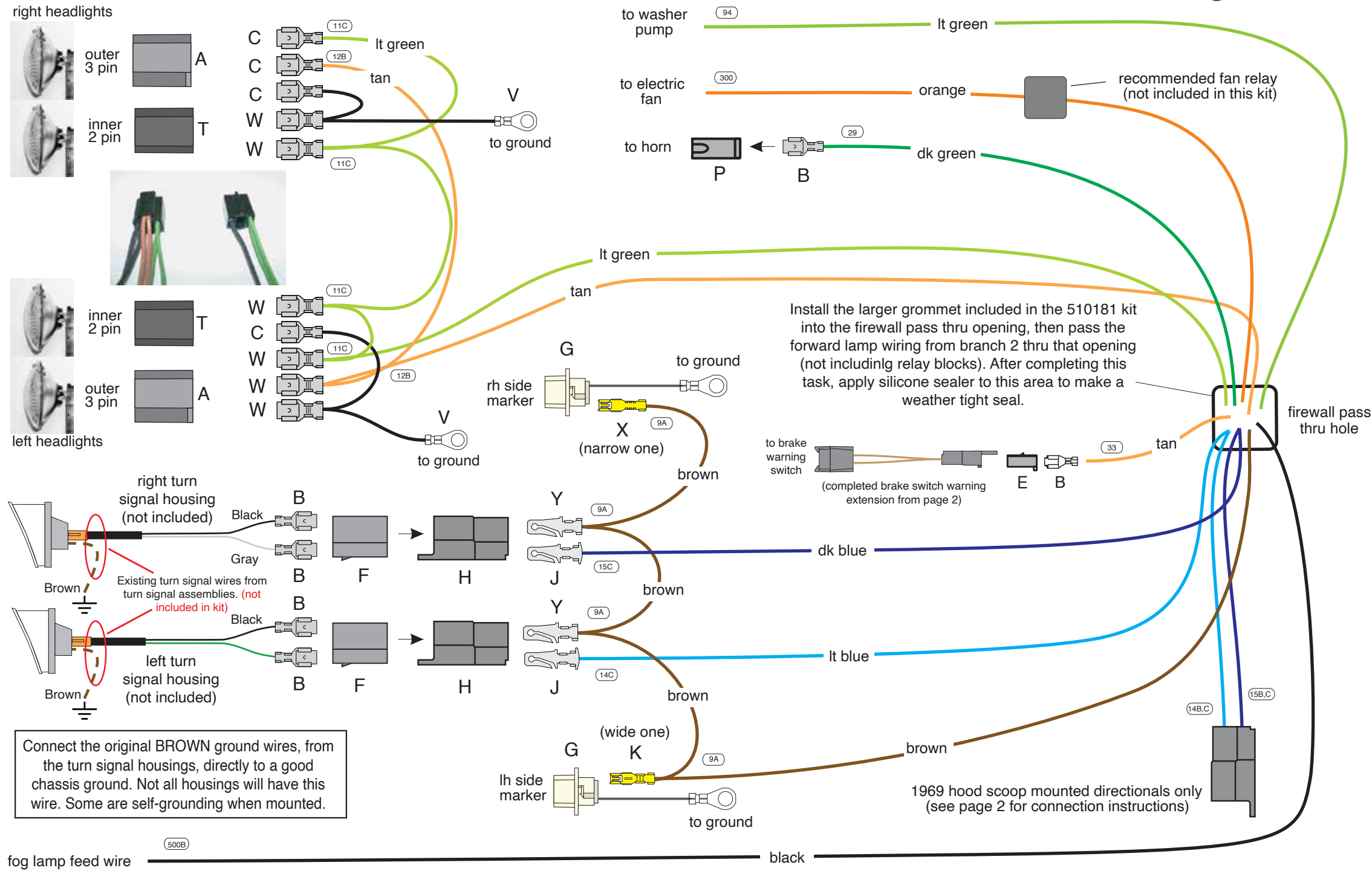
Under Dash Side

# 510177

1969-70 Mustang  
Classic Update Series Kit

92969421 Rev 13.0 AB 5/3/2024

Figure "A"



FORWARD LAMP HARNESS OPENING

The picture above shows the forward lamp wires exiting the original firewall bulkhead pass-thru hole. Even though it has not been done in this picture, please take note to install the larger of the 2 grommets found in the 510181 kit into this opening PRIOR to bringing the forward lamp wires through the opening, and out into the engine compartment.



www.americanautowire.com 856-933-0801

**510177**  
 1969-70 Mustang  
 Classic Update Series Kit

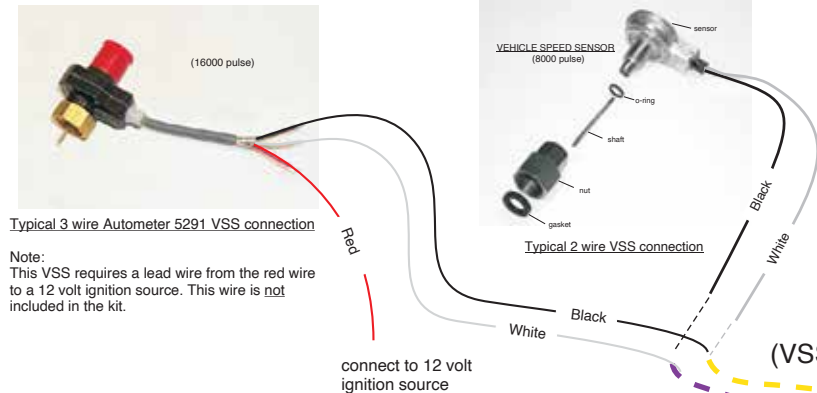
92969421 Rev 13.0 AB 5/3/2024

FORWARD LAMP, ELECTRIC FAN, HORN, BRAKE WARNING, AND WASHER PUMP CONNECTIONS

**NOTE:** The terminals and connectors listed on this page and denoted with UPPER CASE LETTERS to help you complete the various connections to your lamps, horns, switches, etc. can be found in your loose piece grommet and parts kit, P/N 510181 (with the exception of terminal B and connector E which will be found in the 510179 main dash harness loose piece kit).

The identifications, colors, and functions for all of the wires listed in "Figure A" on this page can be found on page 2, branch 2 of this main instruction set. AAW suggests and recommends using both pages 2 and 7 to complete the installation of the forward lamp and washer pump connections.

Typical vehicle speed sensor (VSS) connections (electronic speedo only):

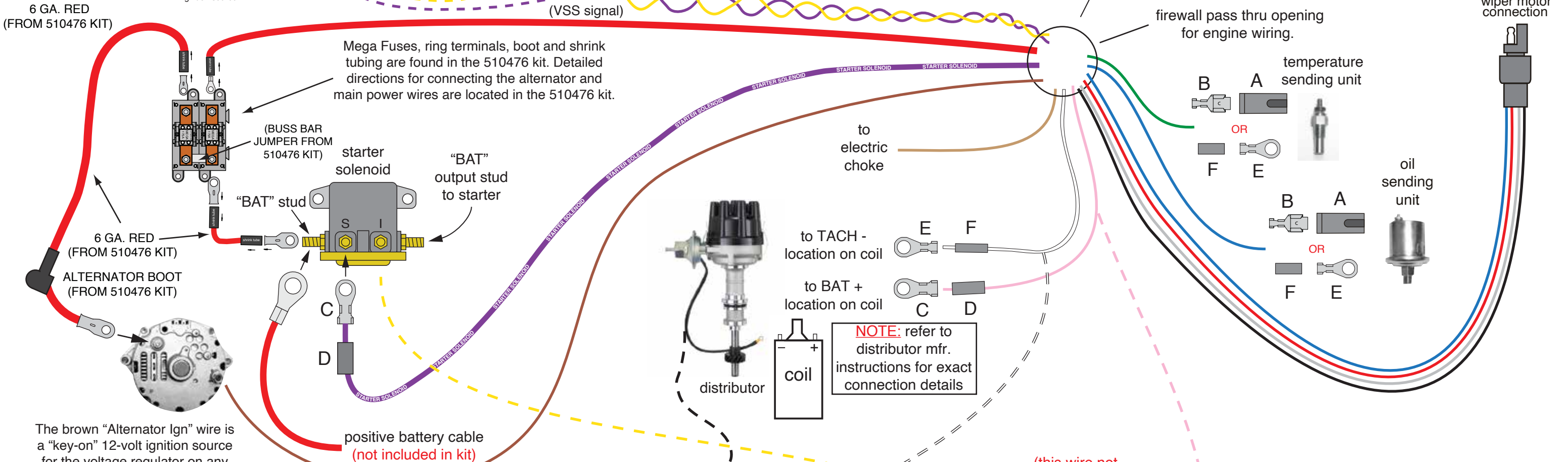


# Engine harness installation instructions:

Figure "B"

**NOTE:** yellow VSS ground and solid purple VSS power wires must be twisted together their entire length.

Install the smaller of the 2 grommets included in the 510181 kit into the original engine harness firewall pass thru opening then pass the engine, alternator ignition, starter solenoid, wiper harness, neutral safety and back-up wires, and the main power feed wiring from branch 5 thru this opening. The identifications, colors, and functions for all of the wires listed in "Figures B and C" on this page can be found on page 4, branch 5, of this main instruction set. The neutral safety and B/U lamp wires are optional to run inside or outside the car depending on your application. See "Figure C" on this page for some typical NSS and back up light switch connections. For alternator, and main power feed connections, refer to the 510476 Alternator and Main Power Connection Kit. After completing this task, apply silicone sealer to this area to make a weather tight seal.

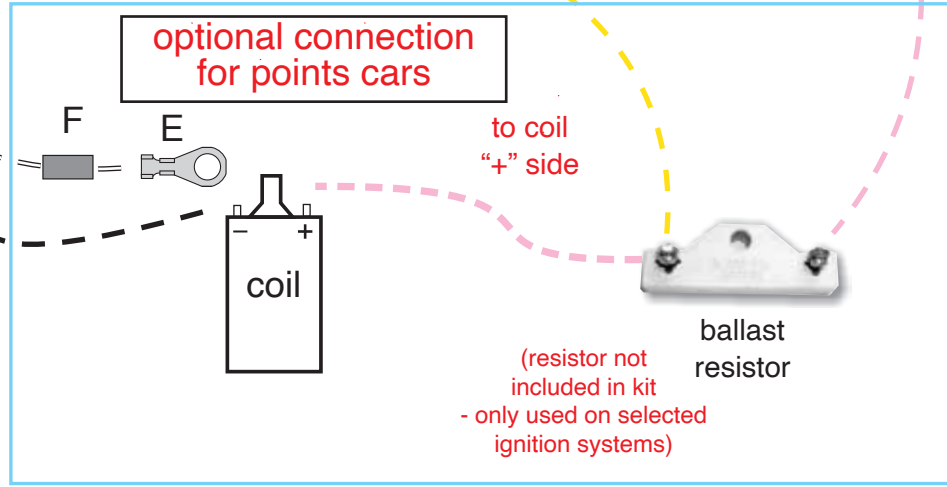
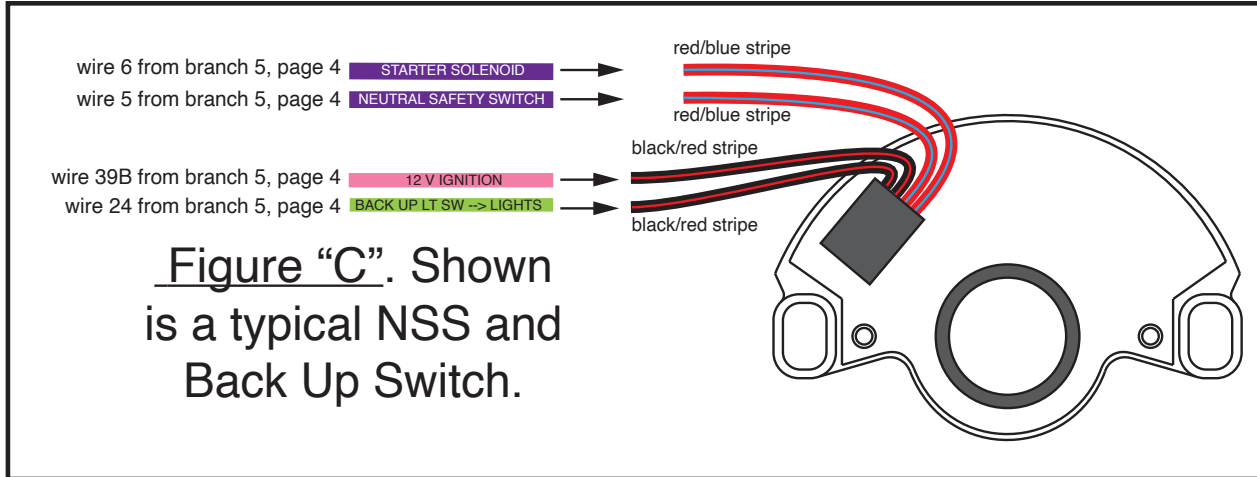


The brown "Alternator Ign" wire is a "key-on" 12-volt ignition source for the voltage regulator on any alternator other than a 1-wire unit. Connect this wire per the alternator manufacturer.

**NOTE:** refer to distributor mfr. instructions for exact connection details

(this wire not included in kit)

(this wire not included in kit)



www.americanautowire.com 856-933-0801

**510177**

1969-70 Mustang Classic Update Series Kit

92969421 Rev 13.0 AB 5/3/2024